

# General-Purpose Compression Load Cells

Large Rated Capacity

LC-E Made to order

**2, 5 MN**

Highly Stable

Hermetically Sealed Structure with Inert Gas Filled in



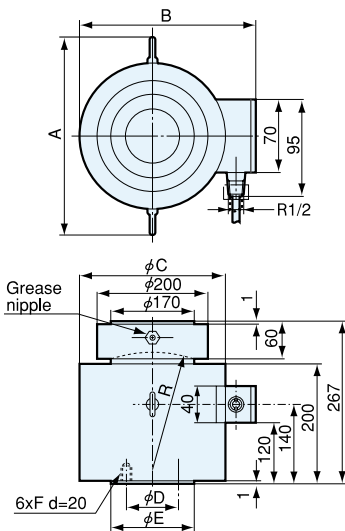
• Watertight versions conforming to JIS C 0920 can be manufactured.

Load cells in the LC-E series feature the detecting part in which inert gas is sealed to prevent aging deterioration while ensuring reliable, stable operation.

## Specifications

Performance	
Rated Capacity	See table below.
Nonlinearity	Within $\pm 0.5\%$ RO
Hysteresis	Within $\pm 0.2\%$ RO
Repeatability	0.1% RO or less
Rated Output	2 mV/V (4000 $\mu\text{m/m}$ ) $\pm 1\%$
Environmental Capability	
Safe Temp. Range	-30 to 85°C
Comp. Temp. Range	-10 to 70°C
Temp. Effect on Zero Bal.	Within $\pm 0.005\%$ RO/°C
Temp. Effect on Out.	Within $\pm 0.005\%$ /°C
Electrical Characteristics	
Safe Excit. Voltage	20 V AC or DC
Recom. Excit. Voltage	1 to 10 V AC or DC
Input Resistance	350 $\Omega \pm 0.5\%$
Output Resistance	350 $\Omega \pm 0.5\%$
Cable	4-conductor (0.3 mm <sup>2</sup> ) chloroprene shielded cable, 7.6 mm dia. by 5 m long, terminated with an NDIS connector plug (Shield wire is not connected to the mainframe,)
Mechanical Properties	
Safe Overload Rating	150%
Natural Frequency	Refer to table below.
Weight	Refer to table below.
Protection Rating	IP 64 (Sprashproof type conforming to JIS C 0920)

## Dimensions

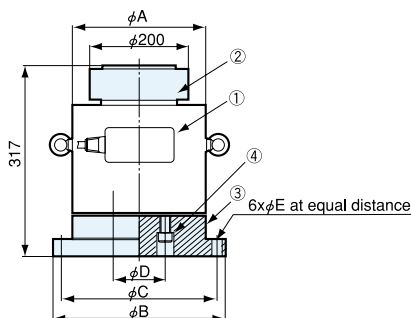


Model	Rated Capacity	Natural Frequency (App.)	A	B	$\phi C$	$\phi D$	$\phi E$	F	R	Weight (App.)
LC-200TE	2 MN	3.5 kHz	310	246	210	90	135	M14	180	49 kg
LC-500TE	5 MN	4 kHz	340	277	240	130	170	M16	230	65 kg

• Saddle CA-B is a standard provision.  
Watertight versions conforming to JIS C 0920 can be manufactured.

## Dimensions with Accessories Mounted

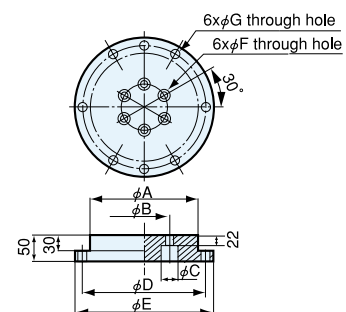
• In Combination with Saddle CA and Mount Base CF



Load Cell Proper ①	Saddle ②	Mount Base ③	Hexagon Socket Head Cap Screw ④	$\phi A$	$\phi B$	$\phi C$	$\phi D$	$\phi E$
LC-200TE	CA-200B	CF-90E	6-M14 L=40	210	268	240	90	18
LC-500TE	CA-500B	CF-130E	6-M16 L=40	240	318	279	130	22

Hexagon socket head cap screw is attached to the mount base for its connection to the load cell.

## Dimensions of Mount Base



Model	Applicable Load Cell	$\phi A$	$\phi B$	$\phi C$	$\phi D$	$\phi E$	$\phi F$	$\phi G$
CF-90E	LC-200TE	210	90	23	240	268	16	18
CF-130E	LC-500TE	240	130	26	279	318	18	22

General-Purpose Compression Load Cells LC-E