

LCH-F

100, 200 kN

Nonlinearity 1/5000

Remote Sensing Possible

Watertight Structure



• TEDS-installed versions can be manufactured. Inquiries are welcome. Note, however, that remote sensing function cannot be used for TEDS-installed versions.

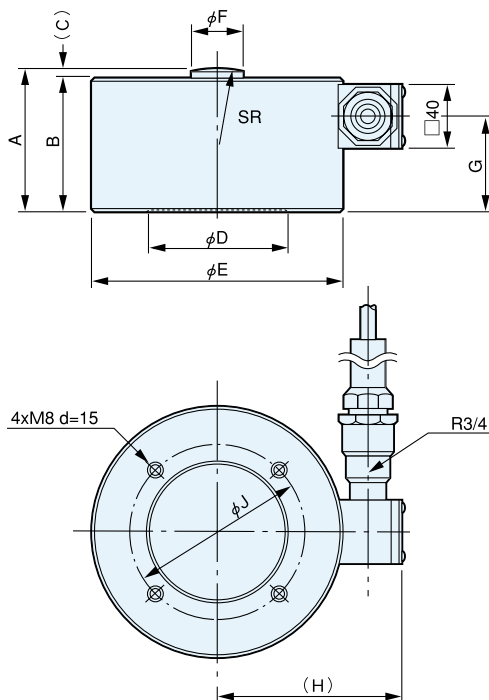
Load cells in the LCH-F series perform measurement with an accuracy as high as 1/5000 even at high temperatures or under water (watertight design in conformity with JIS C 0920). For remote sensing, refer to page 3.

Specifications

Performance	
Rated Capacity	See table below.
Nonlinearity	Within $\pm 0.02\%$ RO
Hysteresis	Within $\pm 0.02\%$ RO
Repeatability	0.02% RO or less
Rated Output	2 mV/V (4000 $\mu\text{m/m}$) $\pm 0.1\%$
Environmental Capability	
Safe Temp. Range	-35 to 80°C
Comp. Temp. Range	-10 to 60°C
Temp. Effect on Zero Bal.	Within $\pm 0.0015\%$ RO/ $^\circ\text{C}$
Temp. Effect on Out.	Within $\pm 0.001\%$ / $^\circ\text{C}$
Electrical Characteristics	
Safe Excit. Voltage	20 V AC or DC
Recom. Excit. Voltage	1 to 10 V AC or DC
Input Resistance	350 $\Omega \pm 0.5\%$
Output Resistance	350 $\Omega \pm 0.5\%$
Cable	4-conductor (0.5 mm ²) chloroprene shielded cable, 9.5 mm dia. by 5 m long, with a press-fit terminal for 4 mm (Shield wire is not connected to the mainframe.)

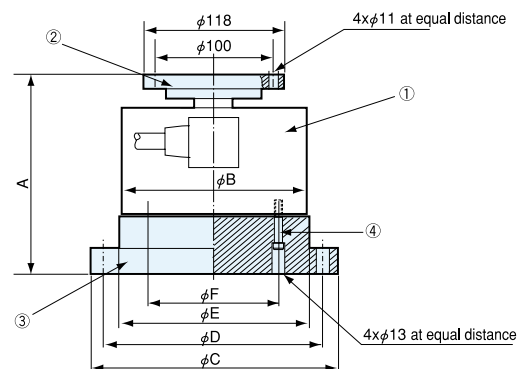
Mechanical Properties	
Safe Overload Rating	200%
Natural Frequency	Refer to table below.
Weight	Refer to table below.
Protection Rating	IP 67 (Watertight type conforming to JIS C 0920)

Dimensions



Dimensions with Accessories Mounted

• In Combination with Saddle CA and Mount Base CF



Load Cell Proper ①	Saddle ②	Mount Base ③	Hexagon Socket Head Cap Screw ④	A	ϕB	ϕC	ϕD	ϕE	ϕF
JAF +/- RD	CA-50B	CF-110	4-M8 L=35	168	156	208	184	160	110
JAF +0. RD	CA-50B	CF-130	4-M8 L=30	188	176	234	210	186	130

Hexagon socket head cap screw is attached to the mount base for its connection to the load cell.

Model	Rated Capacity	Natural Frequency (App.)	A	B	C	ϕD	ϕE	ϕF	G	H	ϕJ	R	Weight (App.)	Movable Saddle
LCH-10TF	100 kN	7.5 kHz	90	82	8	90	156	32	60	113.5	110	50	12 kg	ER-10B
LCH-20TF	200 kN	7 kHz	110	100	10	110	176	45	75	123.5	130	70	17 kg	ER-20B