

# Small-Sized Compression Load Cells

Compact, Stainless Steel Case

## LCN-A

500 N to 20 kN

Compact, Lightweight

Corrosion Resistant

Hermetically Sealed Structure with Inert Gas Fill in



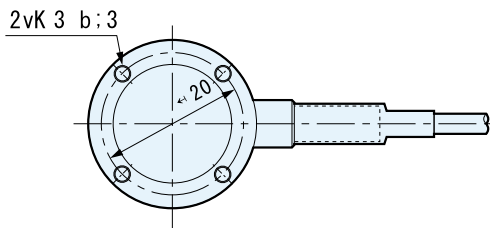
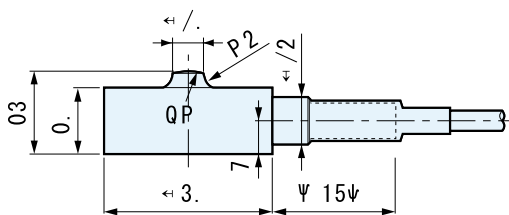
• TEDS-installed versions can be manufactured. Inquiries are welcome.

Since load cells in the LCN-A series are compact and lightweight, they can be easily installed to existing facilities. Their hermetically-sealed structure with inert gas filled in ensures the stable and reliable performance. In addition, the stainless steel enclosure makes them usable where corrosion resistance is required.

### Specifications

Performance	
Rated Capacity	See table below.
Nonlinearity	Within $\pm 0.15\%$ RO
Hysteresis	Within $\pm 0.1\%$ RO
Repeatability	0.05% RO or less
Rated Output	2 mV/V (4000 $\mu\text{m/m}$ ) $\pm 0.3\%$
Environmental Capability	
Safe Temp. Range	-20 to 80°C
Comp. Temp. Range	-10 to 70°C
Temp. Effect on Zero Bal.	Within $\pm 0.005\%$ RO/°C
Temp. Effect on Out.	Within $\pm 0.01\%$ /°C
Electrical Characteristics	
Safe Excit. Voltage	20 V AC or DC
Recom. Excit. Voltage	1 to 12 V AC or DC
Input Resistance	350 $\Omega \pm 0.5\%$
Output Resistance	350 $\Omega \pm 0.5\%$
Cable	4-conductor (0.5 mm <sup>2</sup> ) chloroprene shielded cable, 8.5 mm dia. by 3 m long, with press-fit terminal for 4 mm (Shield wire is not connected to the mainframe.)
Mechanical Properties	
Safe Overload Rating	200%
Natural Frequency	See table below.
Weight	220 g
Protection Rating	IP 67 (Watertight type conforming to JIS C 0920)
Enclosure	Main unit: SUS 630, Bottom plate: SUS 304

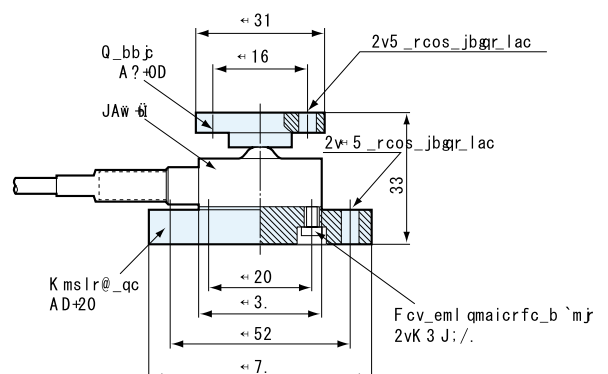
### Dimensions



Model	SR
LCN-A-500N to 2KN	15
LCN-A-5 to 20KN	30

### Dimensions with Saddle and Mount Base Mounted

• In combination with Saddle CA and Mount Base CF



Fcv\_eml qmaicrfe\_b`mj qm amllcarrfc jn\_b acjj\_l b rfc k mslr`\_qc \_pc \_rc afcb m rfc k mslr`\_qc

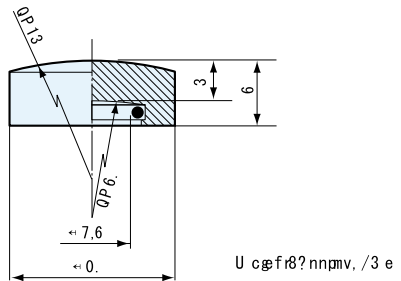
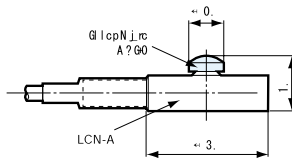
Saddles and Mount Bases

	Saddle	Mount Base
Dedicated to LCN-A	CA-2F	CF-42
To use LCN-A in place of other models	CA-2FM1 CA-2FM2	CF-42M1 CF-42M2
To use LCN-A in place of LCF-A*	CA-2B	CF-42M3

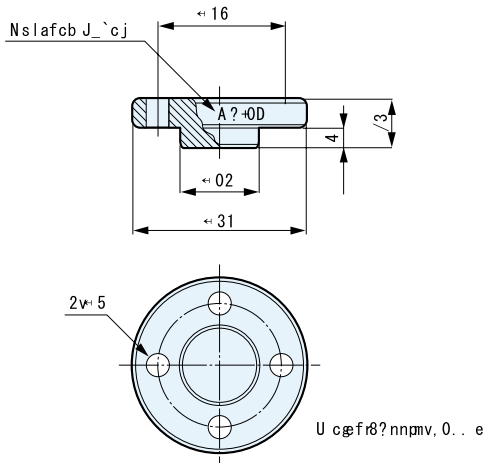
\*To replace LCF-A with LCN-A

• Inner Plate CAI-2

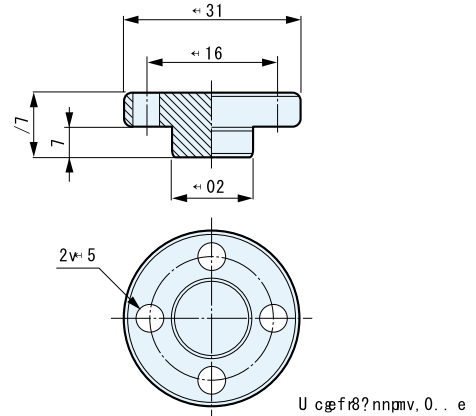
The inner plate is intended to protect the load sensing part at the head of load cell. It prevents frequent application of impact load from damaging the load receiving part and making the spherical surface flat.



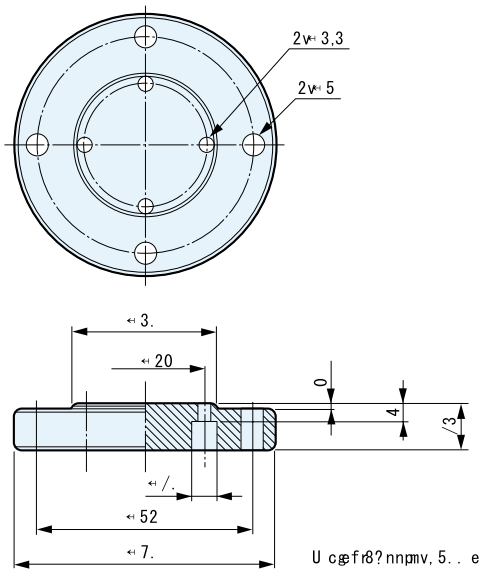
• Saddle CA-2F



• Saddle CA-2B for Alternate Use of LCF-A and LCN-A



• Mount Base CF-42



• Mount Base CF-42M3 for Alternate Use of LCF-A and LCN-A

