

Small-Sized Compression Load Cells

Compact, Lightweight and Thin

LCX-A-ID

500 N to 20 kN

28 mm ϕ , 18 mm Thick (500 N to 2 kN)

Stainless Steel Case

TEDS Installed



LCX-A-5KN to 20KN



LCX-A-500N to 2KN

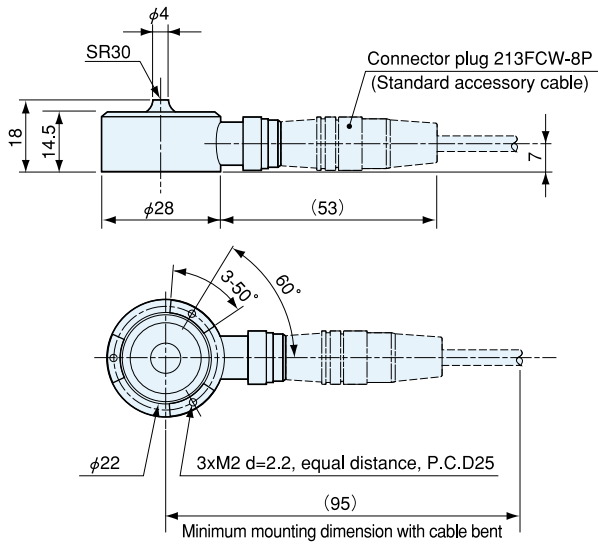
Load cells in the LCX-A-ID series are compact and lightweight, facilitating incorporation into equipment. The connector-integrated design ensures easy installation without worrying about cable handling as well as easy replacement of cable.

Specifications

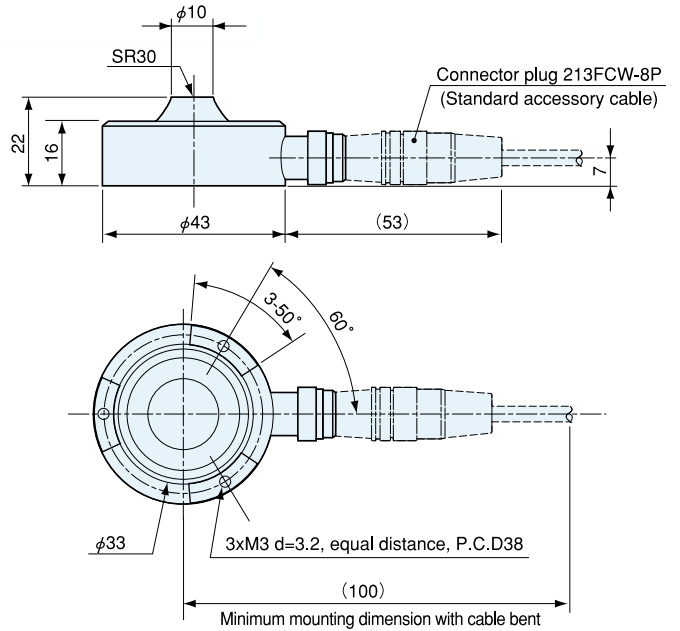
Performance	
Rated Capacity	See table below.
Nonlinearity	Within $\pm 0.1\%$ RO
Hysteresis	Within $\pm 0.1\%$ RO
Repeatability	0.05% RO or less
Rated Output	1.0 mV/V (2000 $\mu\text{m/m}$) or more (500N) 1.5 mV/V (3000 $\mu\text{m/m}$) or more (1KN to 20KN)
Environmental Capability	
Safe Temp. Range	-20 to 80°C
Comp. Temp. Range	-10 to 70°C
Temp. Effect on Zero Bal.	Within $\pm 0.005\%$ RO/ $^\circ\text{C}$ (1KN to 20KN) Within $\pm 0.01\%$ RO/ $^\circ\text{C}$ (500N)
Temp. Effect on Out.	Within $\pm 0.005\%$ / $^\circ\text{C}$
Electrical Characteristics	
Safe Excit. Voltage	15 V AC or DC
Recom. Excit. Voltage	1 to 10 V AC or DC
Input Resistance	$375 \Omega \pm 5 \Omega$
Output Resistance	$350 \Omega \pm 3.5 \Omega$
Cable	6-conductor (0.08 mm ²) chloroprene shielded cable, 4.4 mm dia. by 3 m long, with connector plug to load cell and bared to amplifier (Shield wire is not connected to the mainframe.)
Mechanical Properties	
Safe Overload Rating	150%
Safe Lateral Load	15% the rated capacity
Natural Frequency	See table below.
Enclosure	SUS, metallic finish
Weight	Approx. 45 g (500N to 2KN), excluding cable Approx. 120 g (5KN to 200KN), excluding cable
Protection Rating	IP 67 (Watertight type conforming to JIS C 0920)

Model	Rated Capacity	Natural Freq. (App.)	Spring Constant (App.)
LCX-A-500N-ID	500 N	24 kHz	13 kN/mm
LCX-A-1KN-ID	1 kN	29 kHz	23 kN/mm
LCX-A-2KN-ID	2 kN	37 kHz	38 kN/mm
LCX-A-5KN-ID	5 kN	24 kHz	74 kN/mm
LCX-A-10KN-ID	10 kN	28 kHz	109 kN/mm
LCX-A-20KN-ID	20 kN	37 kHz	190 kN/mm

Dimensions



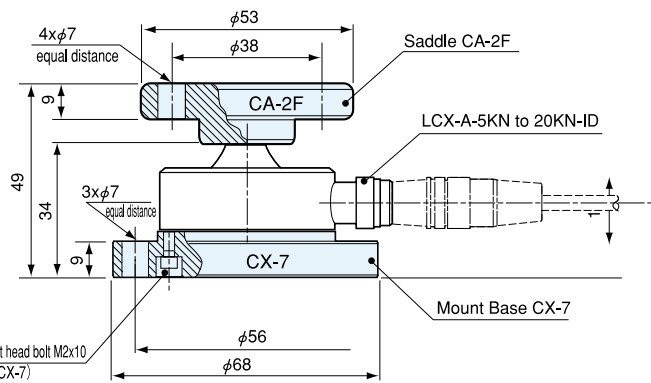
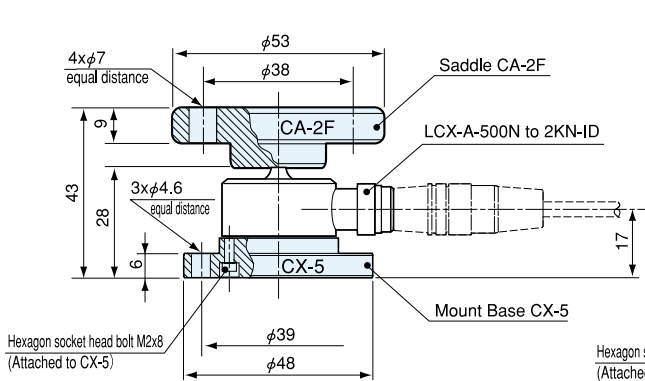
LCX-A-500N, 1KN, 2 KN-ID



LCX-A-5KN, 10KN, 20KN-ID

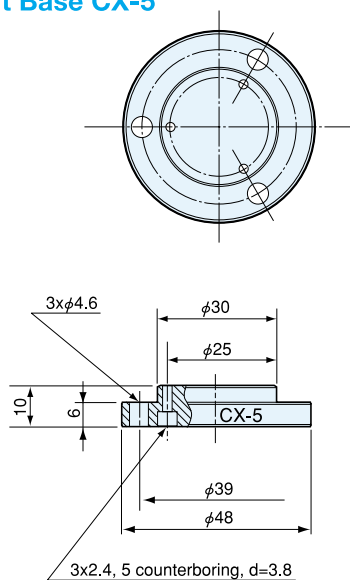
Dimensions with Saddle and Mount Base Mounted

● In Combination with Saddle CA and Mount Base CX



Dimensions of Mount Base

● Mount Base CX-5



● Mount Base CX-7

