

Washer-Type Compression Load Cells

For Press Forming

LCW-C-SA3

10 to 300 kN

Thin Structure

Abundant Rated Capacities

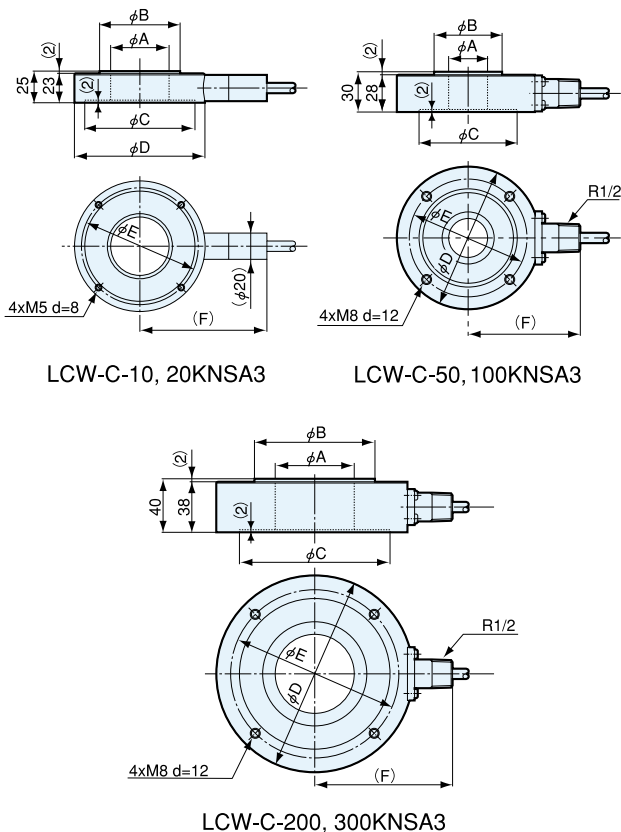


Load cells in the LCW-C-SA3 series feature an extremely simple structure facilitating handling and maintenance. They can be widely used for measurement of bolt tension, load applied to a press, etc.

Specifications

Performance	
Rated Capacity	See table below.
Nonlinearity	Within $\pm 1\%$ RO
Hysteresis	Within $\pm 1\%$ RO
Rated Output	Approx. 1 mV/V (2000 $\mu\text{m/m}$)
Environmental Capability	
Safe Temp. Range	-35 to 80°C
Comp. Temp. Range	-10 to 70°C
Temp. Effect on Zero Bal.	Within $\pm 0.01\%$ RO/°C
Temp. Effect on Out.	Within $\pm 0.01\%$ °C
Electrical Characteristics	
Safe Excit. Voltage	15 V AC or DC
Recom. Excit. Voltage	1 to 10 V AC or DC
Input Resistance	350 $\Omega \pm 1\%$
Output Resistance	350 $\Omega \pm 1\%$
Cable	4-conductor (0.3 mm ²) chloroprene shielded cable, 7.6 mm dia. by 5 m long, bared at the tip (Shield wire is not connected to the mainframe.)
Mechanical Properties	
Safe Overload Rating	150%
Weight	See table below.
Protection Rating	IP 64 (Sprashproof type conforming to JIS C 0920)

Dimensions



Model	Rated Capacity	ϕA	ϕB	ϕC	ϕD	ϕE	F Ψ	Wt. (App.)
LCW-C-10KN25SA3	10 kN	25	42	64	80	70	87	0.6 kg
LCW-C-10KN35SA3		35	52	74	90	80	92	0.7 kg
LCW-C-10KN45SA3		45	62	84	100	90	97	0.8 kg
LCW-C-10KN55SA3		55	72	94	110	100	102	0.9 kg
LCW-C-10KN65SA3		65	82	104	120	110	107	1.0 kg
LCW-C-20KN25SA3	20 kN	25	42	64	80	70	87	0.6 kg
LCW-C-20KN35SA3		35	52	74	90	80	92	0.7 kg
LCW-C-20KN45SA3		45	62	84	100	90	97	0.8 kg
LCW-C-20KN55SA3		55	72	94	110	100	102	0.9 kg
LCW-C-20KN65SA3		65	82	104	120	110	107	1.0 kg
LCW-C-50KN30SA3	50 kN	30	52	74	108	90	85	1.7 kg
LCW-C-50KN40SA3		40	62	84	118	100	90	1.9 kg
LCW-C-50KN50SA3		50	72	94	128	110	95	2.1 kg
LCW-C-50KN60SA3		60	82	104	138	120	100	2.3 kg
LCW-C-50KN70SA3		70	92	114	148	130	105	2.5 kg
LCW-C-50KN80SA3	80	102	124	158	140	110	2.7 kg	
LCW-C-100KN30SA3	100 kN	30	52	74	108	90	85	1.7 kg
LCW-C-100KN40SA3		40	62	84	118	100	90	1.9 kg
LCW-C-100KN50SA3		50	72	94	128	110	95	2.1 kg
LCW-C-100KN60SA3		60	82	104	138	120	100	2.3 kg
LCW-C-100KN70SA3		70	92	114	148	130	105	2.5 kg
LCW-C-100KN80SA3	80	102	124	158	140	110	2.7 kg	
LCW-C-200KN60SA3	200 kN	60	92	114	148	130	105	3.7 kg
LCW-C-200KN70SA3		70	102	124	158	140	110	4.1 kg
LCW-C-200KN80SA3		80	112	134	168	150	115	4.4 kg
LCW-C-200KN90SA3		90	122	144	178	160	121	4.8 kg
LCW-C-200KN100SA3		100	132	154	188	170	126	5.1 kg
LCW-C-300KN60SA3	300 kN	60	92	114	148	130	105	3.7 kg
LCW-C-300KN70SA3		70	102	124	158	140	110	4.1 kg
LCW-C-300KN80SA3		80	112	134	168	150	115	4.4 kg
LCW-C-300KN90SA3		90	122	144	178	160	121	4.8 kg
LCW-C-300KN100SA3		100	132	154	188	170	126	5.1 kg