

Small-Capacity Tension/Compression Load Cells

Straight Beam System

LU-A

50 to 200 N

Small Capacity

High Accuracy



• TEDS-installed versions can be manufactured. Inquiries are welcome.

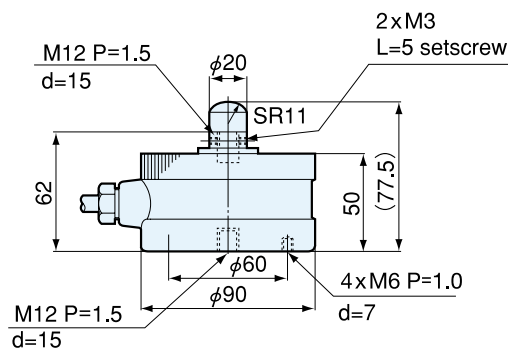
A straight beam is used for the strain column to enable highly accurate measurement of small loads.

Specifications

Performance	
Rated Capacity	See table below.
Nonlinearity	Within $\pm 0.3\%$ RO
Hysteresis	Within $\pm 0.2\%$ RO
Repeatability	0.2% RO or less
Rated Output	1.5 mV/V (3000 $\mu\text{m/m}$) $\pm 5\%$
Environmental Capability	
Safe Temp. Range	-20 to 75°C
Comp. Temp. Range	-10 to 65°C
Temp. Effect on Zero Bal.	Within $\pm 0.01\%$ RO/°C
Temp. Effect on Out.	Within $\pm 0.01\%$ /°C
Electrical Characteristics	
Safe Excit. Voltage	15 V AC or DC
Recom. Excit. Voltage	1 to 10 V AC or DC
Input Resistance	350 $\Omega \pm 0.5\%$
Output Resistance	350 $\Omega \pm 0.5\%$
Cable	4-conductor (0.3 mm ²) chloroprene shielded cable, 7.6 mm dia. by 5 m long, terminated with NDIS connector plug (Shield wire is not connected to the mainframe.)
Mechanical Properties	
Safe Overload Rating	120%
Natural Frequency	See table below.
Weight	Approx. 2.3 kg
Protection Rating	IP 32

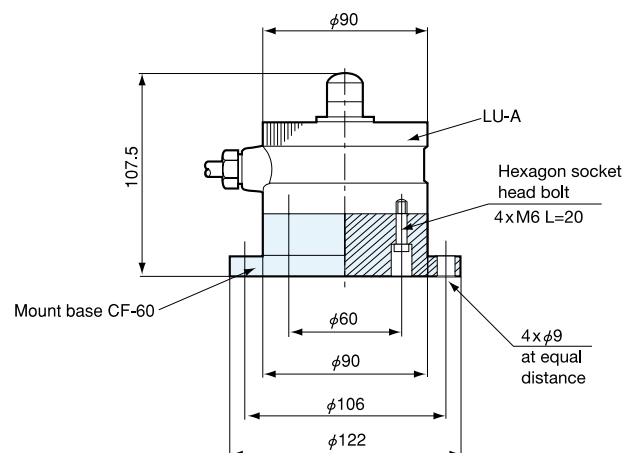
Model	Rated Capacity	Natural Frequency (Approx.)
LU-5KA	± 50 N	200 Hz
LU-10KA	± 100 N	330 Hz
LU-20KA	± 200 N	500 Hz

Dimensions



Dimensions in Combination with Mount Base

● In Combination with Mount Base CF-60



Hexagon socket head bolts for connection between load cell and mount base are standard accessories to mount base.