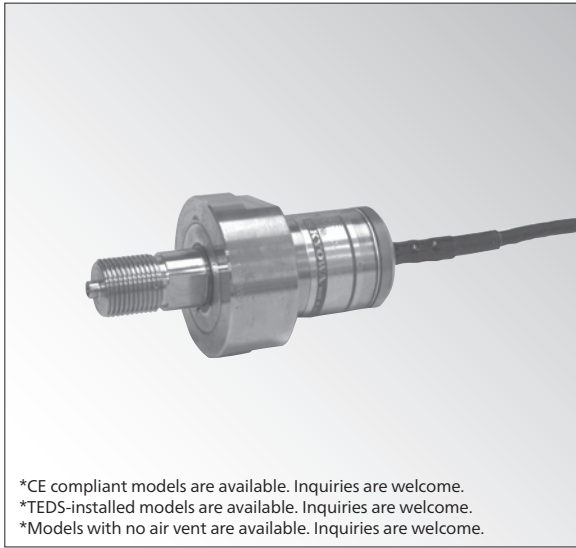


High/Low-temperature Pressure Transducer



*CE compliant models are available. Inquiries are welcome.
 *TEDS-installed models are available. Inquiries are welcome.
 *Models with no air vent are available. Inquiries are welcome.

Suitable for pressure measurement of LPG/LNG tanks and gas or steam turbines

- Usable at both high and low temperatures
- Corrosion resistant
- Hermetically-sealed structure with inert gas filled in
- Highly reliable

PHB-A series is designed for pressure measurement from low to high temperatures. The sensor surface is made by stainless steel diaphragm and inert gas is filled in to increase reliability.

Specifications

Performance

Rated Capacity	See table below.
Nonlinearity	Within $\pm 0.4\%$ RO
Hysteresis	Within $\pm 0.4\%$ RO
Repeatability	0.2% RO or less
Rated Output	2.2 mV/V $\pm 15\%$

Environmental Characteristics

Safe Temperature	-196 to 210°C (Connector plug: -25 to 85°C)
Compensated Temperature	-196 to 200°C (Connector plug: -25 to 85°C)
Temperature Effect on Zero	Within $\pm 0.03\%$ RO/°C
Temperature Effect on Output	Within $\pm 0.03\%$ /°C (1MP: Within $\pm 0.035\%$ /°C)

Electrical Characteristics

Safe Excitation	15 V AC or DC
Recommended Excitation	1 to 10 V AC or DC
Input Resistance	350 Ω $\pm 2\%$
Output Resistance	350 Ω $\pm 2\%$
Cable	4-conductor (0.3 mm ²) fluoroplastic shielded cable, 5 mm diameter by 3 m long, terminated with a connector plug PRC03-12A10-7M (Shield wire is connected to the case.)

Mechanical Properties

Safe Overloads	120%
Natural Frequencies	See table below.
Material	Case: Stainless steel Liquid-contacting part: SUS 630
Weight	See table below.
Degree of Protection	IP51 (IEC 60529)
Mounting Screw	G3/8, male

Standard Accessories

- Gasket (Mild copper)
- *Do not use PHB-A-20MP to PHB-A-50MP for endurance/fatigue tests.
- *Avoid using for a long-term measurement of gas pressure if much importance is attached to the stability of output in a minute range.



Pressure Transducers

Outline

General

High temp.
Low temp.

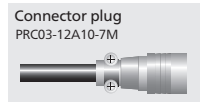
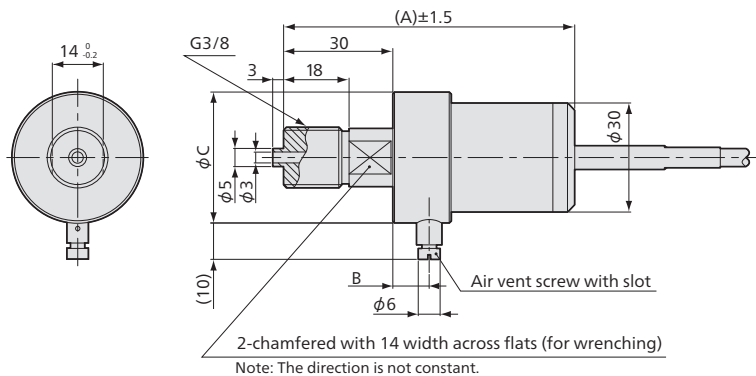
Absolute pressure
High pressure

Pressure transmitter

Differential pressure

Distributed pressure

Dimensions



Models	Rated Capacity	(A)	B	φC	Natural Frequencies (Approx.)	Weight (Approx.)*
PHB-A-1MP	1 MPa	80	10	36	8 kHz	230 g
PHB-A-2MP	2 MPa				13 kHz	
PHB-A-5MP	5 MPa				21 kHz	
PHB-A-10MP	10 MPa	29 kHz				
PHB-A-20MP	20 MPa	40 kHz				
PHB-A-30MP	30 MPa	84	13	46	45 kHz	360 g
PHB-A-50MP	50 MPa			50 kHz		

*Excluding cable