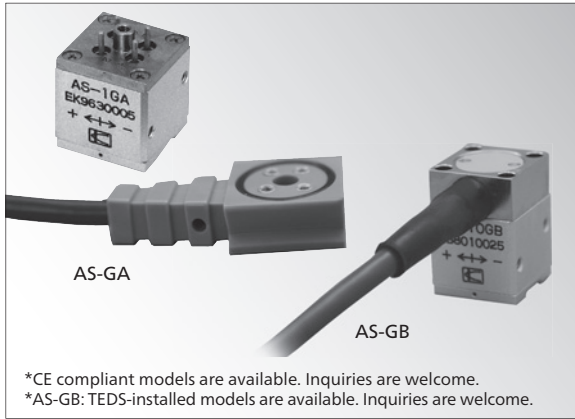


AS-GA / GB

● 9.807 to 196.1 m/s²

Small-sized Small-capacity Acceleration Transducer

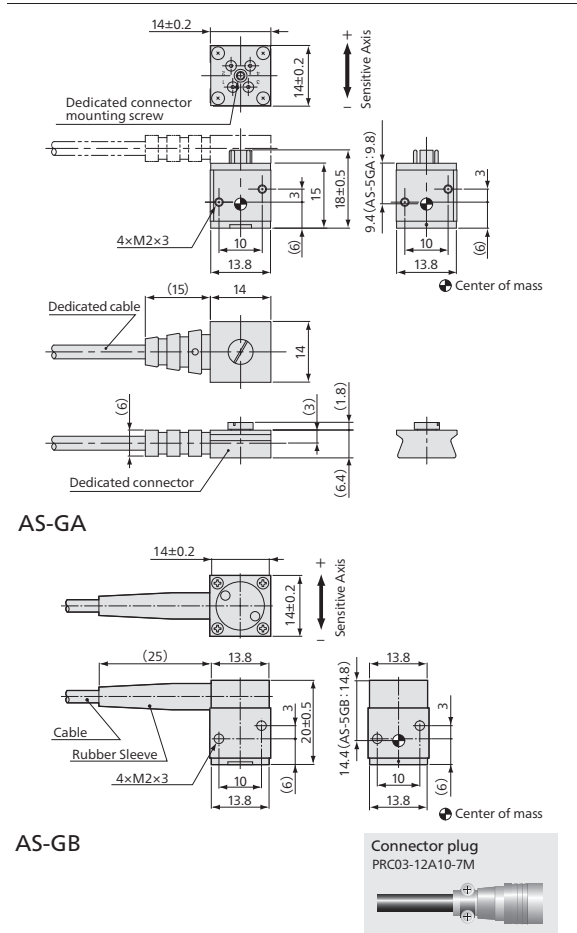


*CE compliant models are available. Inquiries are welcome.
*AS-GB: TEDS-installed models are available. Inquiries are welcome.

Compact & lightweight Easy to use Suitable for measurement of vibration of model structures and in the field of human engineering.

Using a strain gage as the sensing element, AS-GA and AS-GB series acceleration transducers are designed to measure small levels of acceleration. The compact & lightweight design makes them widely used for measurement of vibration in small structures or scale models as well as in the field of human engineering. AS-GA series comes with hermetic terminal and AS-GB series are integrated with cable.

■ Dimensions



Specifications

Performance	
Rated Capacity	See table below.
Nonlinearity	Within ±1% RO
Hysteresis	Within ±1% RO
Rated Output	0.5 mV/V or more
Environmental Characteristics	
Safe Temperature	-15 to 65°C
Electrical Characteristics	
Safe Excitation	6 V AC or DC
Recommended Excitation	1 to 3 V AC or DC
Input Resistance	121 Ω ±1.7%
Output Resistance	121 Ω ±1.7%
Cable	4-conductor (0.08 mm ²) vinyl shielded cable, 3.2 mm diameter by 5 m long
AS-GA	Dedicated cable CB-AS-GA Sensor side: Dedicated connector (removable) Measuring instrument side: PRC03-12A10-7M (Shield wire is not connected to the case.)
AS-GB	Terminated with a connector plug PRC03-12A10-7M (Shield wire is connected to the case.)
Mechanical Properties	
Safe Overloads	300%
Frequency Response	See table below.
Transverse Sensitivity	4% RO or less
Weight	Approx. 15 g (AS-GA) (Excluding cable) Approx. 25 g (AS-GB) (Excluding cable)

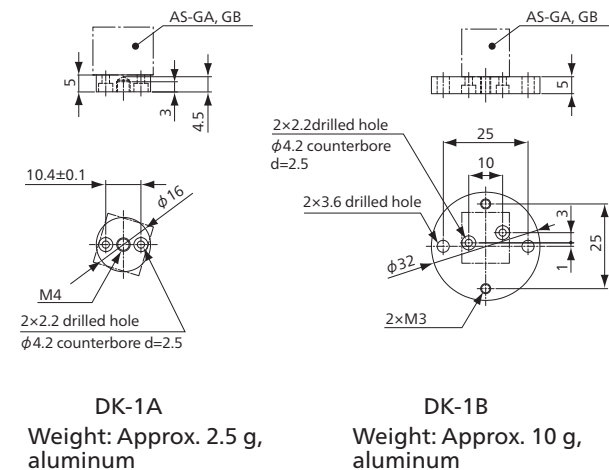
Optional Accessories Mount Base DK-1A/B (Page 2-117)

Models	Rated Capacity (Reference Value)	Frequency Response (At 23°C)
AS-1GA	±9.807m/s ² (±1 G)	DC to 40 Hz
AS-1GB		Sensitivity deviation ±5%
AS-2GA	±19.61m/s ² (±2 G)	DC to 60 Hz
AS-2GB		Sensitivity deviation ±5%
AS-5GA	±49.03m/s ² (±5 G)	DC to 100 Hz
AS-5GB		Sensitivity deviation ±5%
AS-10GA	±98.07m/s ² (±10 G)	DC to 150 Hz
AS-10GB		Sensitivity deviation ±5%
AS-20GA	±196.1m/s ² (±20 G)	DC to 250 Hz
AS-20GB		Sensitivity deviation ±5%

(Note) To install AS-GB, use CC-33A adhesive or optional mount base (See figures below).

(Note) The acceleration transducer is subject to a constant acceleration in the direction of gravity, therefore measurement is restricted, taking into account this vertical movement (9.807 m/s²). For the AS-1GA/1GB, if sensitivity is set in line with the direction of gravity, then the rated capacity will be exceeded. As long as the safe overload rating is not exceeded, there will be no damage, but characteristics will be outside the guaranteed range.

■ Mount Base DK-1A/B



DK-1A
Weight: Approx. 2.5 g,
aluminum

DK-1B
Weight: Approx. 10 g,
aluminum